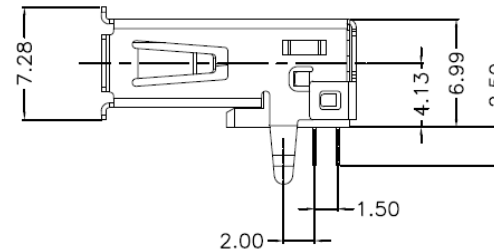
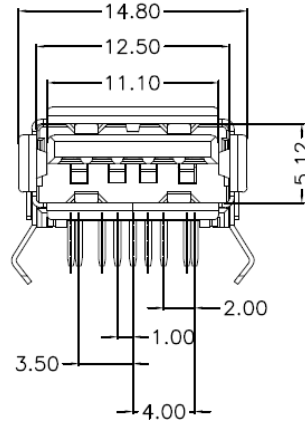
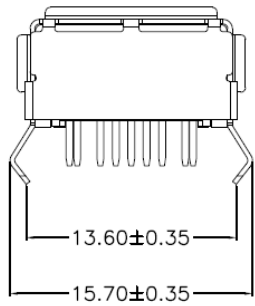
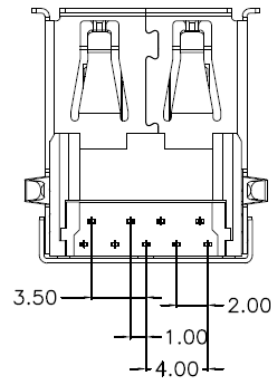


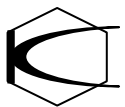
RECOMMEND P.C.B LAYOUT (TOLERANCES ±0.05mm)
 (COMPONENT SIDE) THICKNESS=1.0mm



NOTE:
 SPECIFICATION:
 1).Voltage Current Rating: 1A, 30VAC(rms)
 2).Insulation Resistance: 1000MΩ Min.
 3).Contact Resistance: 30mΩ Max.
 4).Dielectric Withstanding Voltage: 500V AC
 MECHANICAL:
 1). Mating Force: 3.57Kgf (35N) Max
 2). Unmating force: 1.02Kgf (10N) Min
 3). DURABILITY: 1500 Cycles



3	SHELL	SUS	1	N
2	TERMINAL	COPPER ALLOY	9	
1	Molding -ASSY	PBT	1	
NO	PART NAME	MATERIAL	Q'TY	FINISHING



銓基電子股份有限公司
 ROKI ELECTRONICS CO., LTD.

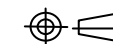
PART NAME : USB JACK

SCALE :

PART NO : USB309-01

UNIT : mm

TOLERANCE : X±0.10 mm X.X±0.5mm X.X.X±0.30mm



VER : R01